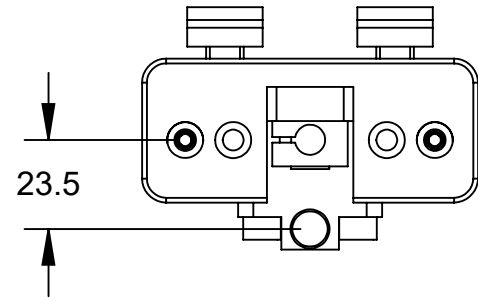
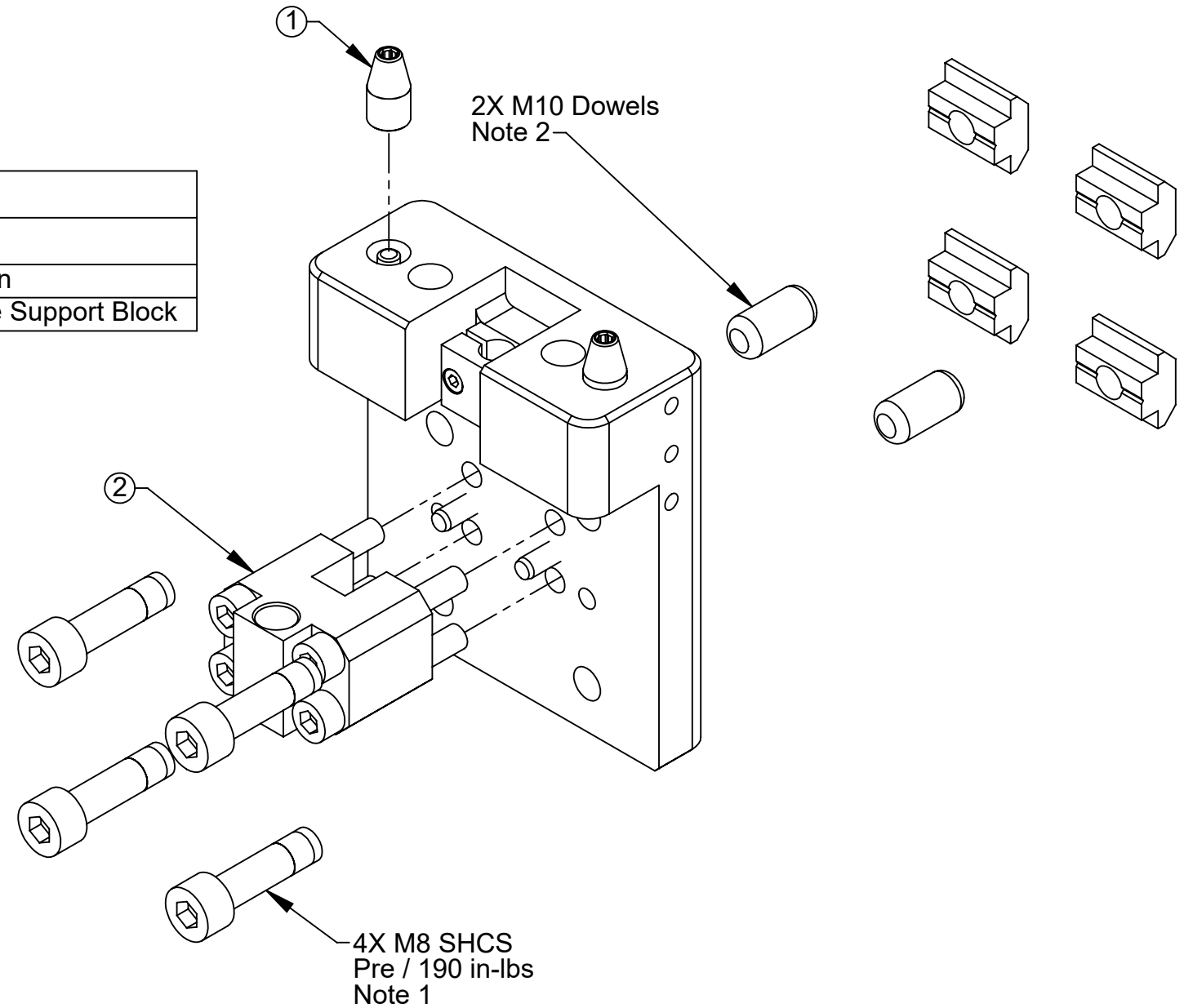
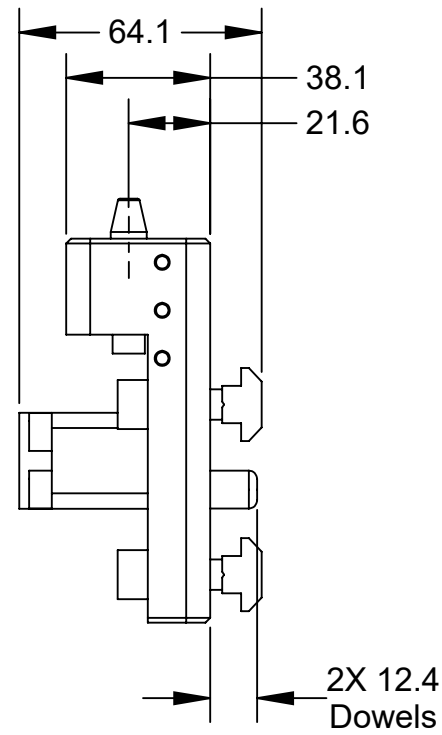
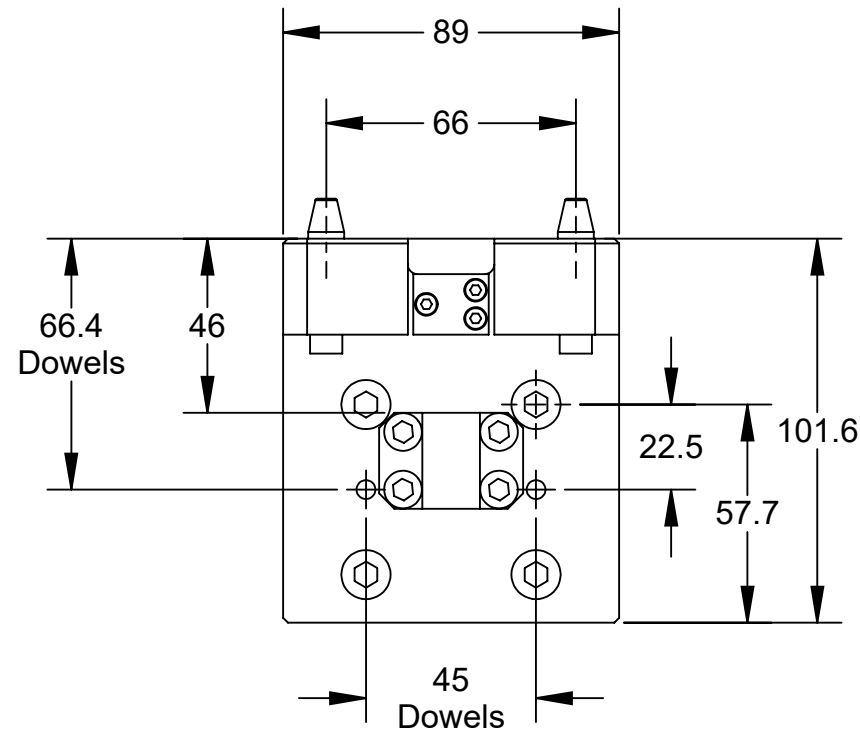


Rev.	Description	Initiator	Date
03	ECO 20593: Updated to reflect changes in components Updated title block.	REH	01/18/2022



Serviceable Items			
ITEM NO.	QTY.	PART NUMBER	DESCRIPTION
1	2	3700-20-7124	3/8" Dia. Alignment Pin
2	1	3700-20-7129	TSS Mounting Module Support Block



Notes:

- Customer to install fasteners and torque to listed value.
- Loose dowels included. Customer to press into plate if needed.

ITEM NO.	QTY.	PART NUMBER	DESCRIPTION
1	1	9120-TSS-MMB-7130	TSS and Manual Coupler Mounting Module
NOTES: UNLESS OTHERWISE SPECIFIED.		<p>1031 Goodworth Drive, Apex, NC 27539, USA Tel: +1.919.772.0115 Fax: +1.919.772.8259 www.ati-ia.com ISO 9001 Registered Company</p>	
DO NOT SCALE DRAWING. ALL DIMENSIONS ARE IN MILLIMETERS.		<p>PROPERTY OF ATI INDUSTRIAL AUTOMATION, INC. NOT TO BE REPRODUCED IN ANY MANNER EXCEPT ON ORDER OR WITH PRIOR WRITTEN AUTHORIZATION OF ATI.</p>	
DRAWN BY: D.Brewer, 9/20/13		TITLE	
CHECKED BY: J. Winterroth, 11/14/13		TSS and Manual Coupler Mounting Module	
PROJECT #		SCALE	REVISION
SHEET 1 OF 1		1:5	03
		SIZE	DRAWING NUMBER
		B	9630-20-TSS-MMB-7130

